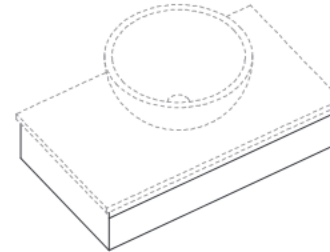


Features

- Above-counter center sink installation
- Solid aluminum rust-free space frame construction
- Plumbing clearance drawer design
- Full extension aluminum drawer with slow-close
- Shatter-protected white glass drawer bottom
- Includes six removable glass bins
- Uniquely designed ergonomic full-length concealed pull
- Vanities are modular and can be ganged to fit a variety of desired widths; a ganging kit ensures proper frame and drawer spacing
- Integrated night light in handle provides soft light to illuminate drawer interior
- Single 36" (91.4 cm) drawer unit
- 36-1/2" (92.7 cm) W x 7" (17.8 cm) H x 21-5/8" (54.9 cm) D
- Vanity includes side kit which accounts for 1/2" (1.3 cm) of total vanity width

WITH NIGHT LIGHT VS36ACL11

ALSO VS36ACL12, VS36ACL14,
VS36ACL15, VS36ACL16, VS36ACL19,
VS36ACL20, VS36ACL21, VS36ACL22,
VS36ACL23



Codes/Standards Applicable

Specified model meets or exceeds the following:

- ETL listed

Specified Model

Model	Description	
VS36ACL11	Tinted Gray Mirror, with night light	<input type="checkbox"/>
VS36ACL12	Satin Bronze, with night light	<input type="checkbox"/>
VS36ACL14	Champagne Mesh, with night light	<input type="checkbox"/>
VS36ACL15	Onyx Mesh, with night light	<input type="checkbox"/>
VS36ACL16	Hammered Oil Rubbed Bronze, with night light	<input type="checkbox"/>
VS36ACL19	Satin White, with night light	<input type="checkbox"/>
VS36ACL20	Black, with night light	<input type="checkbox"/>
VS36ACL21	White, with night light	<input type="checkbox"/>
VS36ACL22	Beach, with night light	<input type="checkbox"/>
VS36ACL23	Ocean, with night light	<input type="checkbox"/>

NOTE: Additional hardware is required for installing vanities side-by-side.

Required Purchases to Complete Installation

37" (94 cm) x 22" (55.9 cm) countertop with above-counter sink	<input type="checkbox"/>
--	--------------------------

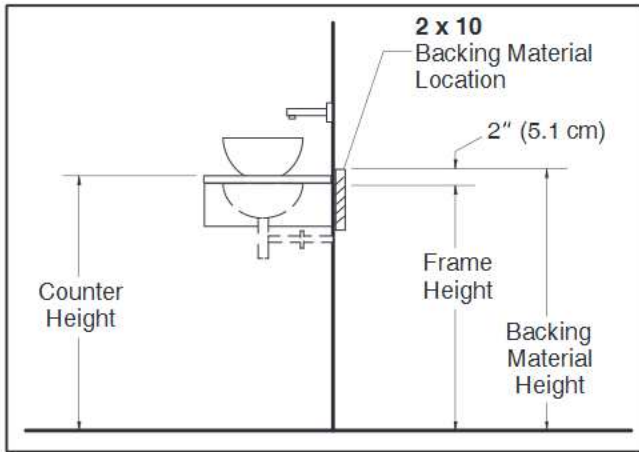
Optional Accessories

VSGKIT	Slim vanity ganging kit - required when combining two or more vanities	<input type="checkbox"/>
VGSK-__	Slim-Deep vanity ganging kit - required for ganging a Slim and Deep vanity together (same Vanity color options - fill in __ designator with desired color; example: VGSK-20)	<input type="checkbox"/>

SLIM VANITY

Technical Information

Recommended countertop size	37" (94 cm) x 22" (55.9 cm)
Centerline location	Centerline of sink/faucet to be located at 18-1/2" (47 cm) from left edge of countertop
Sink installation	Above-counter



Counter Height less Counter Thickness =
Frame Height

Installation Notes

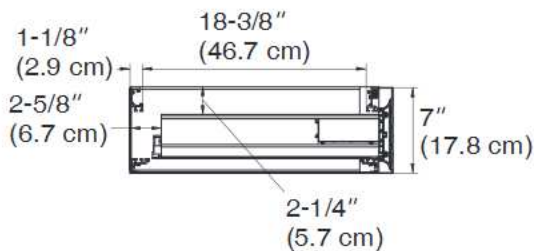
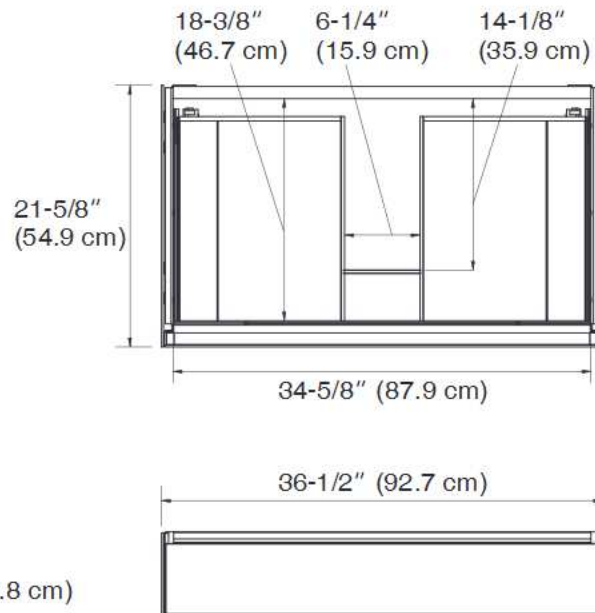
Install this product according to the installation manual.

Framing, plumbing, and electrical details can be found on pages 6-8 of the Vanity Series Installation Manual (209-1126).

The vanity series needs special site preparation. Do not install vanities until all framing, plumbing and electrical options rough-ins have been completed and wall surface has been finished. We recommend using the services of a professional installer. Observe all the local building codes.

Models with night light option or electric accessory should have a GFCI protected outlet located behind the vanity. An optional wall switch can be used. See Vanity Installation Manual for determining outlet location.

The vanity series are modular and can be mounted individually or ganged together. When ganging two vanities, the total dimension is the sum of overall vanity minus 1/2" (1.3 cm):
 $36\text{-}1/2'' (92.7\text{ cm}) + 36\text{-}1/2'' (92.7\text{ cm}) - 1/2'' (1.3\text{ cm}) = 72\text{-}1/2'' (184.1\text{ cm})$.



Product Diagram